

CONTENTS 35-60

Finishing Systems

Automatic Spray Head Bodies	36
Spray Gun Handle Assemblies	37-38
Cartridge Assemblies	39-41
Material Cups/Tanks/Regulators	42-49
Hose Assemblies	50
Integral Filter Regulator	51

Adhesive Systems

CrossFire™ QS™ Automatic Spray Head	52-53
CrossFire™ Gun Handles	54-55
CrossFire™ Cartridge Assembly	56
CrossFire™ Adhesive Delivery Systems	57-58
CrossFire™ Supply Hose Assemblies	59

UNIT DIAGRAMS/PARTS LIST

Automatic Spray Head Bodies

QS™ Non-Bleeder Head Part #9004, 9005

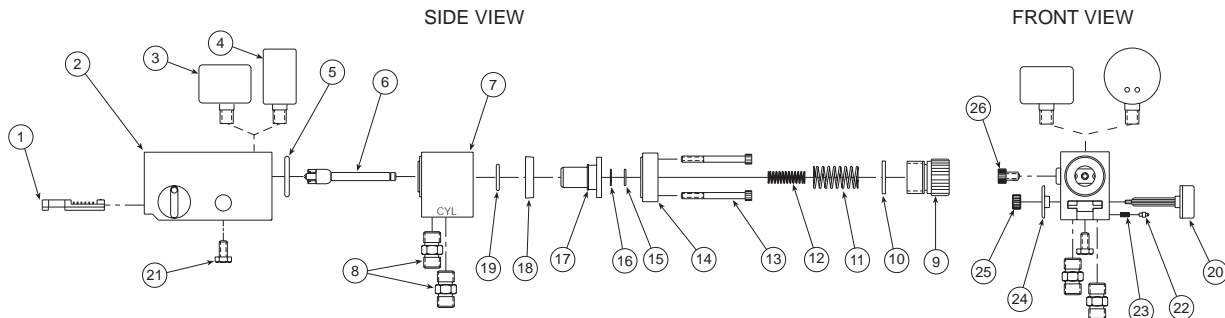


Diagram Number	Description	Part Number
1	Fan Control Slide	20008
	Fan Control Slide 5-Pack	7125
2	QS™ Gun Body	81622
3	Center Back Mount Pressure Gauge 0-15 PSI (for #9005)	40198
4	Lower Mount Pressure Gauge 0-15 PSI (for #9004)	40320
5	Large O-Ring	40030
6	Needle Retainer Assembly	81204
7	Air Activating Cylinder	81090
8	Brass Inlet Fitting	40292
9	Fluid Adjusting Knob	81088
10	Fluid Adjusting Knob Seal	40001
11	Non-Bleeder Trigger Spring	81256
12	Non-Bleeder Spring	81092
13	Socket Head Cap Screws (10-24 x 2 1/4")	40611
14	End Cap	81621
15	Retaining Washer	40027
16	E-Ring Auto Gun	40033
17	Air Activating Piston	81089
18	U Cup Seal	40031
19	O-Ring	81094
20	TotalFlow® Fan Control Knob	70016
21	Hex Head Screw	14955
22	Detent	30034
23	Detent Spring	40057
24	Fan Control Cap	40012
25	Thumb Nut Assembly	70027
26	Cartridge Retainer Thumb Screw Assembly	70028
	Cartridge Retainer Thumb Screw Assembly 5-Pack	7119

Spray Gun Handle Assemblies

IQ™ Spray Gun Handle (Aluminum)..... Part #8036

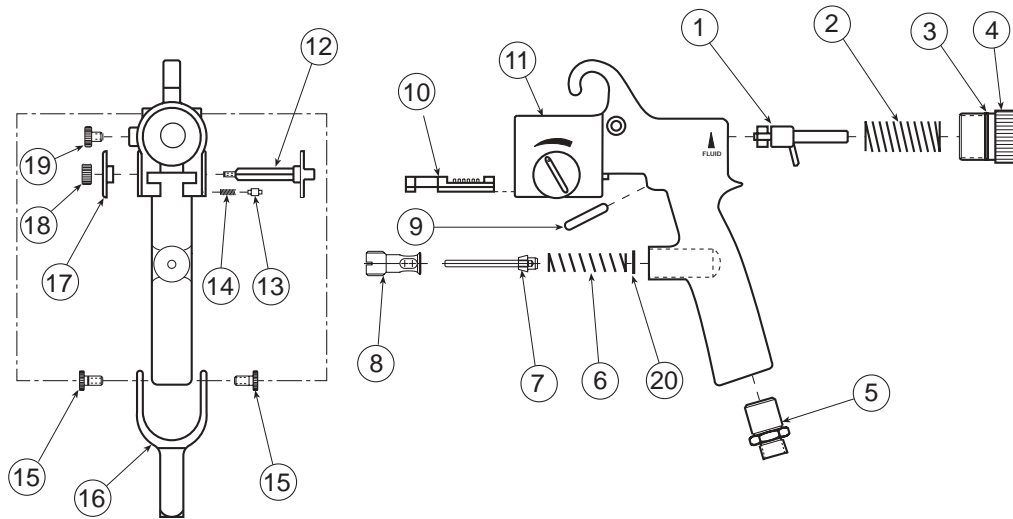


Diagram Number	Description	Part Number
1	Needle Retainer Assembly	70006
2	Trigger Spring	40000
3	Fluid Adjusting Knob Seal	40001
4	Fluid Adjusting Knob	20001
5	Air Inlet Fitting	30092
6	Air Valve Spring	81007
7	Air Valve Spool Assembly	81059
8	Air Valve Sleeve	81009
9	Fluid Trigger Pin	30014
10	Fan Control Slide	20008
	Fan Control Slide 5-Pack	7125
11	Aluminum Gun Handle ONLY	81000
12	TotalFlow® Fan Control Knob	70016
13	Detent	30034
14	Detent Spring	40057
15	Trigger Retaining Screw	81012
16	Trigger	81011
17	Fan Control Cap	40012
18	Thumb Nut Assembly	70027
19	Thumb Screw Assembly	70028
	Thumb Screw Assembly 5-Pack	7119
20	Air Valve Sleeve Seal	81203
Not Shown	IQ™/IQ™-Top Load Gun Handle and Cartridge Rebuild Kit	7072

UNIT DIAGRAMS/PARTS LIST

Spray Gun Handle Assemblies

IQ™ Top-Load Spray Gun Handle (Aluminum)..... Part #8220

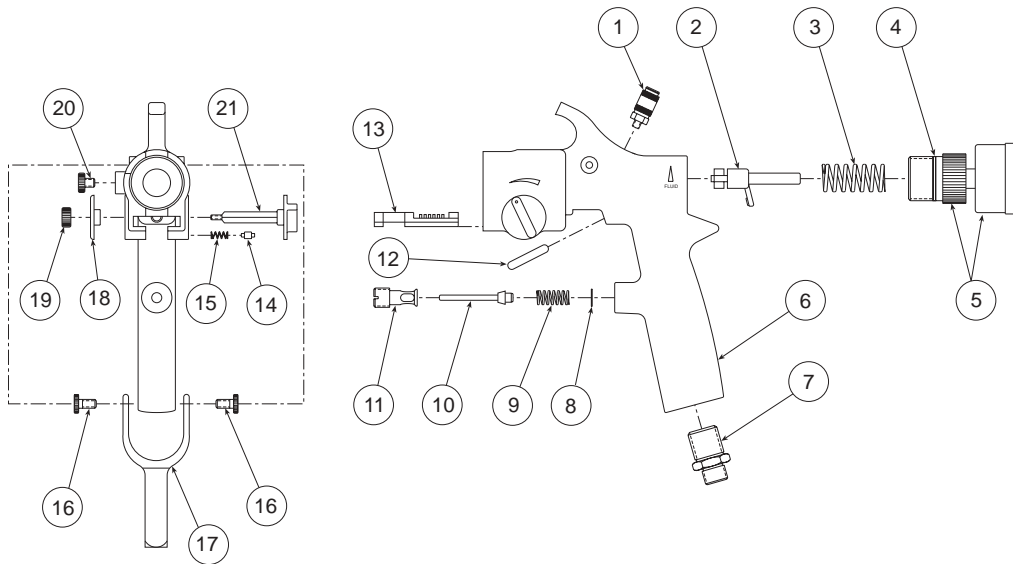
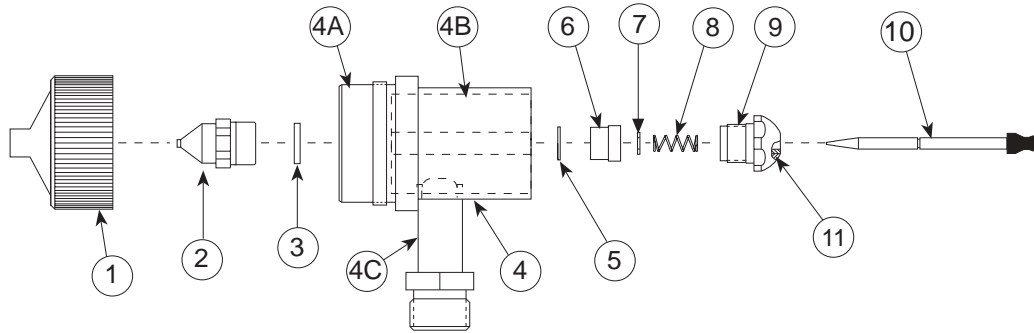


Diagram Number	Description	Part Number
1	Air Inlet Tube Quick-Connect Fitting	81245
2	Needle Retainer Assembly	70006
3	Trigger Spring	40000
4	Fluid Adjusting Knob Seal	40001
5	0-15 PSI Gauge & Fluid Adjusting Knob Assembly	81415
6	Aluminum Gun Handle ONLY	81246
7	Air Inlet Fitting	30092
8	Air Valve Sleeve Seal	81203
9	Air Valve Spring	81007
10	Air Valve Spool Assembly	81059
11	Air Valve Sleeve	81009
12	Fluid Trigger Pin	30014
13	Fan Control Slide	20008
	Fan Control Slide 5-Pack	7125
14	Detent	30034
15	Detent Spring	40057
16	Trigger Retaining Screw	81012
17	Trigger	81011
18	Fan Control Cap	40012
19	Thumb Nut Assembly	70027
20	Thumb Screw Assembly	70028
	Thumb Screw Assembly 5-Pack	7119
21	TotalFlow® Fan Control Knob	70016
Not Shown	IQ™/IQ™ Top-Load Gun Handle and Cartridge Rebuild Kit	7072
Not Shown	IQ™ Top-Load Gun Hook	4016

Standard Cartridge Assemblies

Standard Cartridge Assembly (Breakaway)



Note: For complete cartridge assemblies see pages 17-18.

Diagram Number	Description	Part Number
1	AIR-MISER™ Air Cap with Blue Ring	7002
1	Super AIR-MISER™ Air Cap with Blue Ring	7003
1	HO™ High Output Air Cap with Red Ring	7008
1	GuideRing™ Air Cap with Green Ring	7045
1	GuideRing™ Air Cap with Black Ring	7042
1	GuideRing™ Air Cap with Gold Ring	7043
1	GuideRing™ Air Cap with Silver Ring	7047
1	Small Pattern AIR-MISER™ with Blue Ring	7090
2	Fluid Tip, .028", 35° Angle	81189
2	Fluid Tip, .032", 35° Angle	81513
2	Fluid Tip, .040", 35° Angle	81514
2	Fluid Tip, .043", 35° Angle	82016
2	Fluid Tip, .050", 35° Angle	82017
2	Fluid Tip, .060", 35° Angle	82018
2	Fluid Tip, .070", 35° Angle	82019
2	Fluid Tip, .086", 35° Angle	82020
3	Nozzle Seal	40015
	Nozzle Seal 5-Pack	7143
4	IQ™ Breakaway Cartridge Body Assembly, Stainless Steel Fluid Passages	81202
4A	Sleeve	81074
4B	Insert	81201
4C	Paint Flow Fitting	81200
5	Air Directing Seal	40059
	Air Directing Seal 5-Pack	7141
6	High Pressure Needle Seal Assembly	81057
7	E-Ring	40007
8	Needle Spring	40008
9	Air Directing Plug Assembly	70030
10	Needle Assembly for .028", .032", .040", .043" & .050"	82105
10	Needle Assembly for .060", .070" & .086"	82106
11	Needle Packing Seal	40006
	Needle Packing Seal 3-Pack	7102
5-11	Complete Needle Assembly for .028", .032", .040", .043" & .050"	82103
5-11	Complete Needle Assembly for .060", .070" & .086"	82104
	* Teflon® Cartridge Assembly	81618

Teflon is a registered trademark of E.I. DuPont

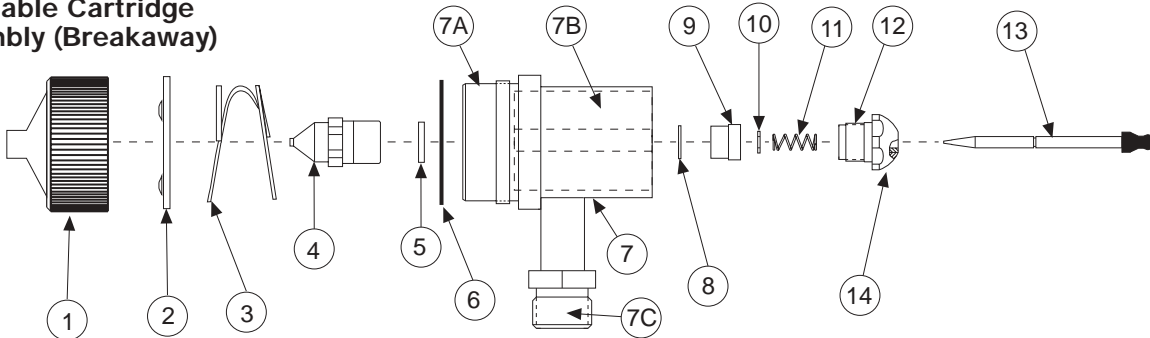
© Copyright 2002, Mattson Spray Equipment, Division of Rice Lake Weighing Systems, Inc., Rice Lake, WI USA. All rights reserved.
Prices & specifications subject to change without notice.

MATTSON
SPRAY EQUIPMENT
DIVISION OF RICE LAKE WEIGHING SYSTEMS, INC.

UNIT DIAGRAMS/PARTS LIST

Selectable Cartridge Assemblies

Selectable Cartridge Assembly (Breakaway)



Note: For complete cartridge assemblies see page 17-18.

Diagram Number	Description	Part Number
1	Positive Stop AIR-MISER™ Air Cap with Blue Ring	7061
1	Positive Stop GuideRing™ Air Cap with Black Ring	7062
1	Positive Stop GuideRing™ Air Cap with Gold Ring	7064
1	Positive Stop GuideRing™ Air Cap with Green Ring	7068
1	Positive Stop GuideRing™ Air Cap with Silver Ring	7065
1	Positive Stop HO™ High Output Air Cap with Red Ring	7069
2	Fan Detent Plate	30084
3	Spring Fluid Tip, .028", 35° Angle	40213
4	Fluid Tip, .032", 35° Angle	81513
4	Fluid Tip, .040", 35° Angle	81514
4	Fluid Tip, .043", 35° Angle	82016
4	Fluid Tip, .050", 35° Angle	82017
4	Fluid Tip, .060", 35° Angle	82018
4	Fluid Tip, .070", 35° Angle	82019
4	Fluid Tip, .086", 35° Angle	82020
5	Nozzle Seal	40015
5	Nozzle Seal 5-Pack	7143
6	White "O" Ring	40215
7	IQ™ Selectable Cartridge Body Assembly with Stainless Steel Fluid Passages	81240
7A	Sleeve	81239
7B	Insert	81201
7C	Paint Flow Fitting	81200
8	Air Directing Seal	40059
8	Air Directing Seal 5-Pack	7141
9	High Pressure Needle Seal Assembly	81057
10	E-Ring	40007
11	Needle Spring	40008
12	Air Directing Plug Assembly	70030
13	Needle Assembly, .032", .040", .043" & .050"	82105
13	Needle Assembly, .060", .070" & .086"	82106
14	Needle Packing Seal	40006
14	Needle Packing Seal 3-Pack	7102
8-14	Complete Needle Assembly, .032", .040", .043" & .050"	82103
8-14	Complete Needle Assembly, .060", .070" & .086"	82104

IQ™ Top-Load Cartridge Assemblies

Top-Load Cartridge Assembly (Breakaway)

.032" Top-Load Cartridge w/AIR-MISER™ Air Cap	Part #8230
.032" Top-Load Cartridge w/Black GuideRing™ Air Cap	Part #8231
.040" Top-Load Cartridge w/AIR-MISER™ Air Cap	Part #8240
.040" Top-Load Cartridge w/HO™ High Output Air Cap	Part #8241
.040" Top-Load Cartridge w/Gold GuideRing™ Air Cap	Part #8242
.043" Top-Load Primer Cartridge w/Green GuideRing™ Air Cap	Part #8260

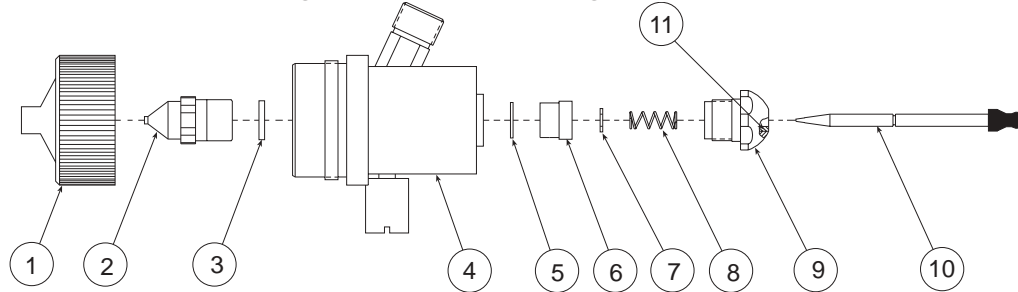


Diagram Number	Description	Part Number
----------------	-------------	-------------

1	AIR-MISER™ Air Cap with Blue Ring	7002
1	HO™ High Output Air Cap with Red Ring	7008
1	GuideRing™ Air Cap with Black Ring	7042
1	GuideRing™ Air Cap with Gold Ring	7043
1	GuideRing™ Air Cap with Green Ring	7045
2	Fluid Tip, .028", 35° Angle	81189
2	Fluid Tip, .032", 35° Angle	81513
2	Fluid Tip, .040", 35° Angle	81514
2	Fluid Tip, .043", 35° Angle	82016
2	Fluid Tip, .050", 35° Angle	82017
2	Fluid Tip, .060", 35° Angle	82018
2	Fluid Tip, .070", 35° Angle	82019
2	Fluid Tip, .086", 35° Angle	82020
3	Nozzle Seal	40015
.....	Nozzle Seal 5-Pack	7143
4	Cartridge Body Assembly With Stainless Steel Fluid Passages	81252
5	Air Directing Seal	40059
.....	Air Directing Seal 5-Pack	7141
6	High Pressure Needle Seal Assembly	81057
7	E-Ring	40007
8	Needle Spring	40008
9	Air Directing Plug Assembly	70030
10	Needle Assembly .028", .032", .040", .043" & .050"	82105
10	Needle Assembly .060", .070" & .086"	82106
11	Needle Packing Seal	40006
.....	Needle Packing Seal 3-Pack	7102
5-11	Complete Needle Assembly .028" .032", .040", .043" & .050"	82103
5-11	Complete Needle Assembly .060", .070", & .086"	82104
3, 5, 7, 8, 11	Cartridge Rebuild Kit	7148

UNIT DIAGRAMS/PARTS LIST

Cup Pressure Regulator

Single Cup Pressure Regulator Part #8093

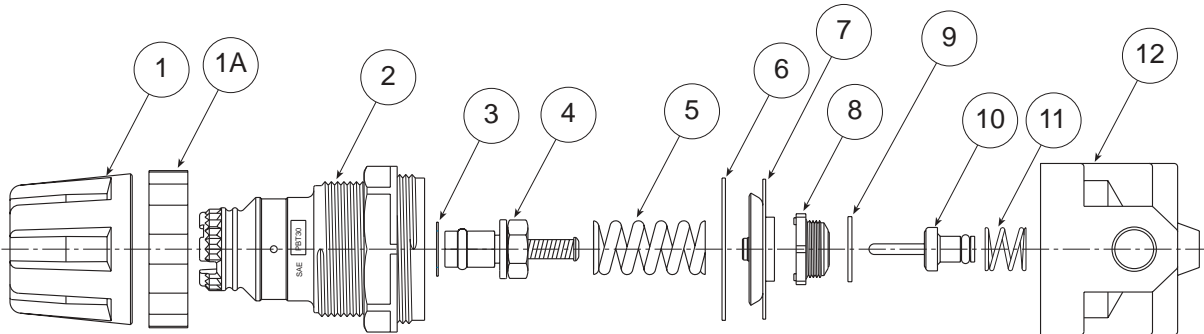


Diagram Number	Description	Part Number
1	Adjusting Knob	81665
1A	Locking Ring	81801
2	Regulator Bonnet	81802
3	Thrust Washer	81803
4	Adjusting Stem Assembly	81816
5	Adjusting Spring	81664
6	Slip Ring	81806
7	Diaphragm Assembly	81663
8	Valve Seat (torque to 7 inch-pounds)	81808
9	Gasket	81809
10	Main Valve Assembly	81662
11	Valve Spring	81811
12	Single Regulator Body	81812
3, 6, 7, 8, 9, 10, 11	Single Regulator Rebuild Kit	7085
Not Shown	1/4" NPT Male Pipe Nipple	40063
Not Shown	Gauge, 0-15 PSI	40198
Not Shown	Swivel Fitting, 1/4" Tubing Connector	81794
Not Shown	Swivel Fitting, 1/4" NPTF	81798
Not Shown	Replacement Glass Gauge Lens	82202

UNIT DIAGRAMS/PARTS LIST

Air Cap/Cup Pressure Regulator

Dual Air Cap/Cup Pressure Regulator Order #8125

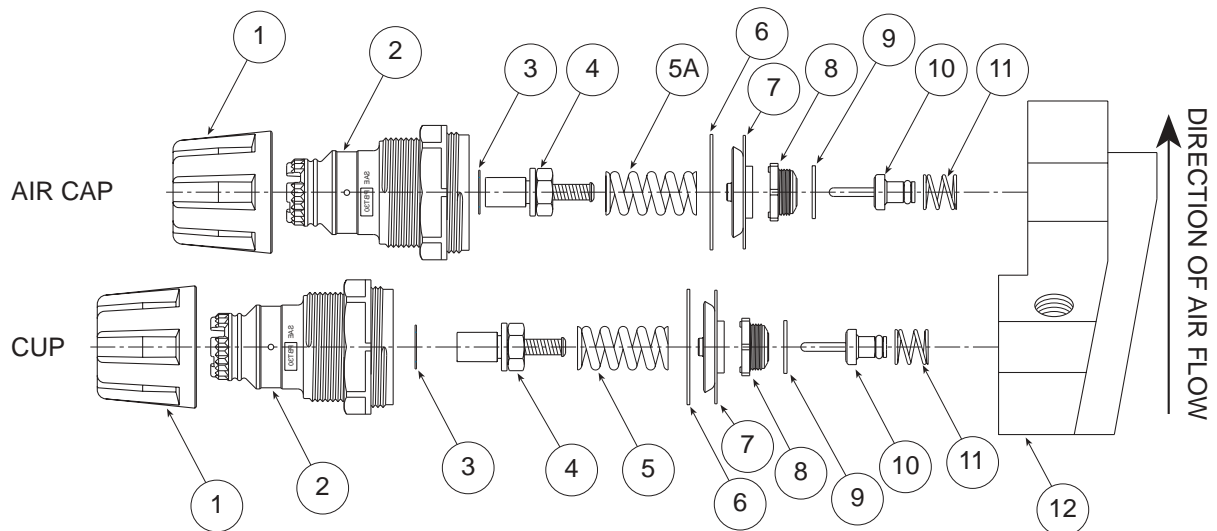


Diagram Number	Description	Part Number
1	Adjusting Knob	81665
2	Regulator Bonnet	81802
3	Thrust Washer	81803
4	Adjusting Stem Assembly	81816
5	Adjusting Spring	81664
5A	Adjusting Spring	81805
6	Slip Ring	81806
7	Diaphragm Assembly	81663
8	Valve Seat (torque to 7 inch-pounds)	81808
9	Gasket	81809
10	Main Valve Assembly	81662
11	Valve Spring	81811
12	Dual Regulator Body	81817
3, 6, 7, 8, 9, 10, 11	Dual Regulator Rebuild Kit (two of each part)	7086
Not Shown	Male 1/4" Tubing Connector	81333
Not Shown	O-Ring, Dual Regulator	81491
Not Shown	Gauge, 0-15 PSI	40198
Not Shown	Replacement Glass Gauge Lens	82202

UNIT DIAGRAMS/PARTS LIST

One-Liter Pressure Cup Assembly

IQ™ Cup With Cover, Black Swivel Air Inlet Order #9300

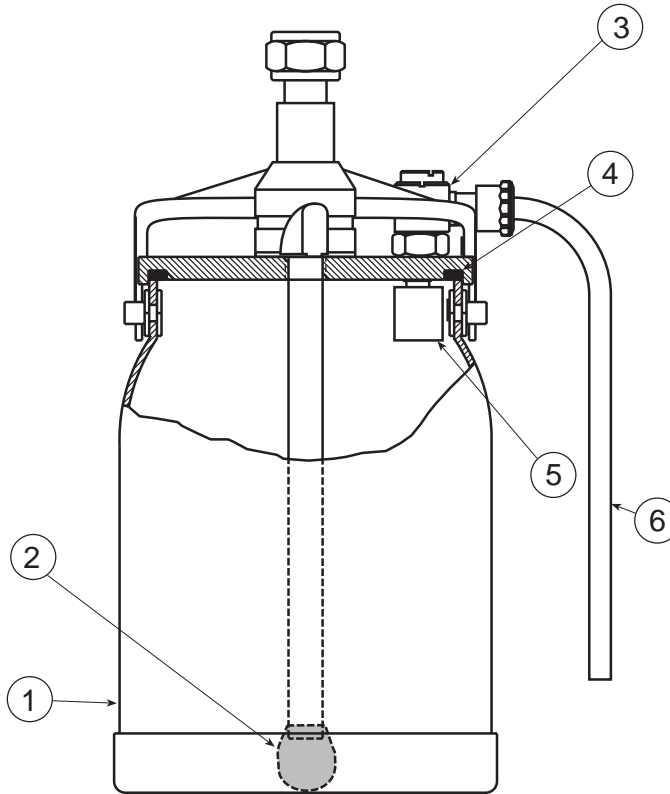


Diagram Number	Description	Part Number
1	One-Liter Paint Cup	65162
2	Catch-All Filter	80009
	Catch-All Filter 5 Pack	7123
3	Swivel Connector, Air Inlet Tube	81259
4	Cup Gasket Seal, Blue	65161
	Cup Gasket Seal, Blue, 5 Pack	9393
5	LiquidLock®/Ball Check Assembly	81054
	LiquidLock®/Ball Check Assembly 5 Pack	7144
6	Air Inlet Tube Assembly, 1/4" OD	81799
	Air Inlet Tube Assembly, 1/4" OD 5 Pack	7093

Top-Load Cup Assembly

IQ™ Top-Load Cup With Cover Part #8500

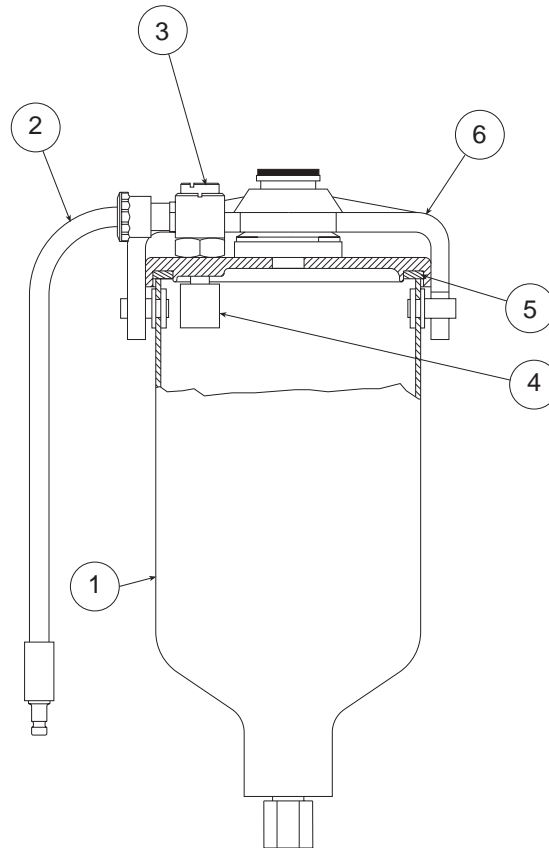


Diagram Number	Description	Part Number
1	20 fl. oz Aluminum Paint Cup with 1/4" Swivel Connector	65893
2	Top-Load Air Inlet Tube Assembly	81251
	Top-Load Air Inlet Tube Assembly 5 Pack	7154
3	Swivel Connector, Air Inlet Tube	81259
4	LiquidLock®/Ball Check Assembly	81054
	LiquidLock®/Ball Check Assembly 5 Pack	7144
5	Cup Gasket Seal	65161
	Cup Gasket Seal 5 Pack	9393
6	Cover Assembly	65892
Not Shown	Cup Regulator Air Inlet Tube (for use with 8093 or 8125 Regulator)	81820

UNIT DIAGRAMS/PARTS LIST

Two-Quart Pressure Cup Assemblies

Two-Quart Pressure Cup with 5 Ft. Hose Order #8075

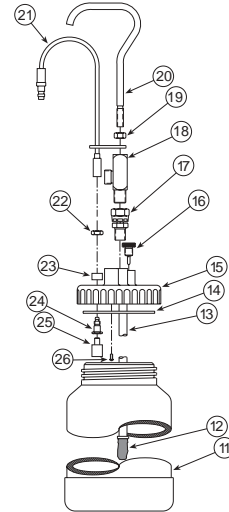
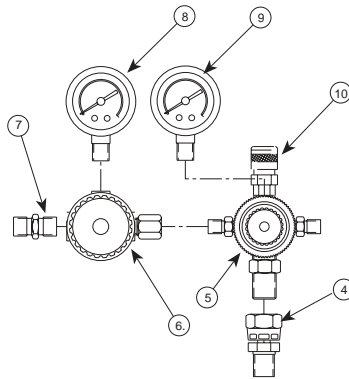
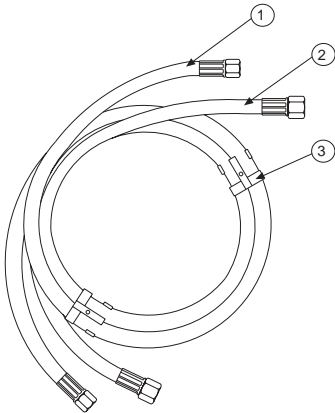


Diagram Number	Description	Part Number
1-3	Complete Double 5 Ft. Hose	7128
1	4 1/2 Ft. Air Hose	40294
2	5 Ft. Paint Hose	40295
3	Hose T-Clip	40289
4	Swivel Nut Assembly	40300
5	Cup Regulator Assembly	70135
6	Air Cap Regulator Assembly	70127
7	Brass Inlet Fitting	40292
8	Air Pressure Gauge (0-100 PSI)	40306
9	Air Pressure Gauge (0-60 PSI)	40268
10	Quick-Connect Assembly	70126
11	Two-Quart Pressure Cup	82097
12	Catch-All Filter	80009
	Catch-All Filter 5-Pack	7123
13	Material Tube	82098
14	Two-Quart Cup Gasket	40275
*15	Two-Quart Cup Cover (stamped with "Pressure Not to Exceed 50 LBS")	82099
16	Air Release Screw	40278
17	Swivel Nut Assembly	40300
18	Elbow, 3/8" NPS	82100
19	Jam Nut, Size 5/16"-24 UNF	82101
20	Handle	82102
21	Two-Quart Air Inlet Tube Assembly (Includes Male Quick-Connect)	81055
	Two-Quart Air Inlet Tube Assembly 5-Pack	7124
22	Jam Nut, Size 5/16"-24	40075
23	Spacer	40262
24	Cup Pressure Connector	30049
25	LiquidLock®/Ball Check Assembly	81054
	LiquidLock®/Ball Check Assembly 5-Pack	7144
26	Screw	40285

* Two-quart cup cover #82099 must be used with pressure cup #82097.

Regulator Assembly

Two-Quart Dual Regulator

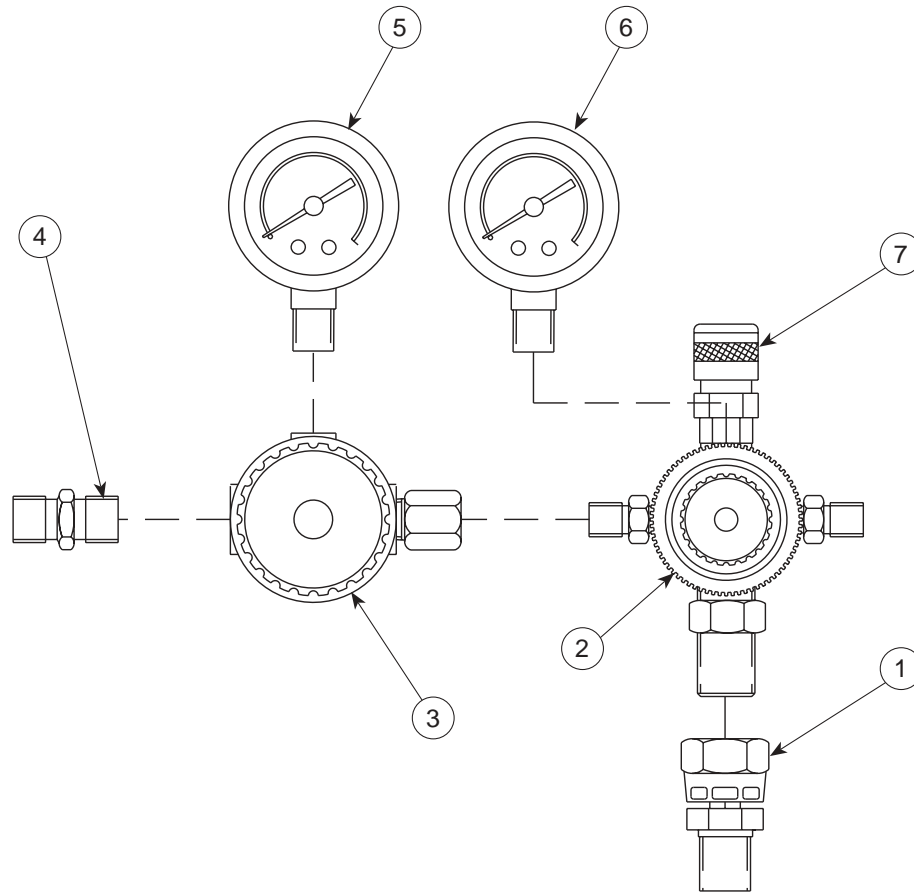


Diagram Number	Description	Part Number
1	Swivel Nut Assembly	40300
2	Cup Regulator Assembly	70135
3	Air Cap Regulator Assembly	70127
4	Brass Inlet Fitting	40292
5	Air Pressure Gauge (0-100 PSI)	40306
6	Air Pressure Gauge (0-60 PSI)	40268
7	Quick-Connect Assembly	70126

UNIT DIAGRAMS/PARTS LIST

2.5-Gallon ColorCan Assembly

2.5-Gallon Paint Tank Assembly Part #8040

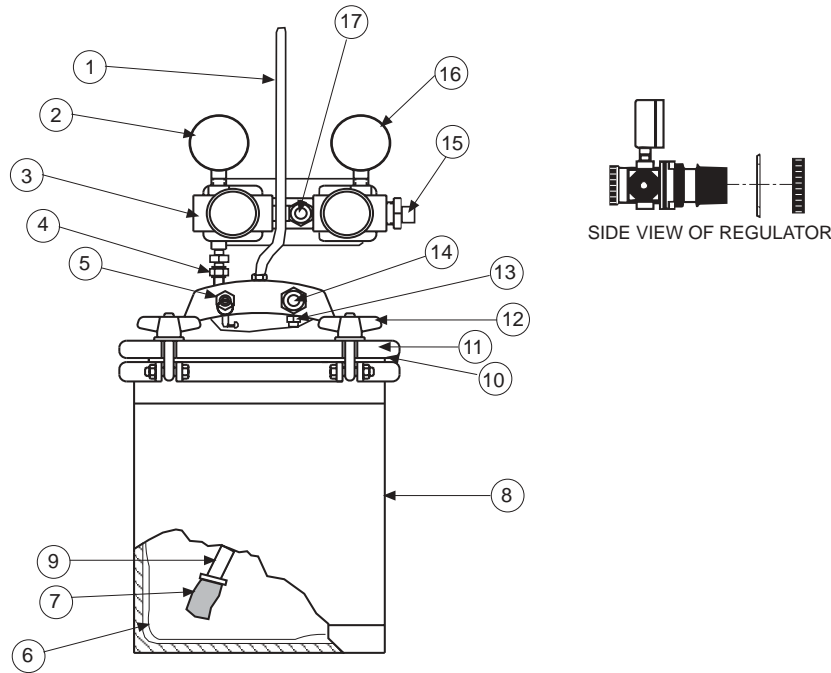


Diagram Number	Description	Part Number
1	Handle	40118
2	Gauge, 0-60 PSI	40226
3	Regulator Only	70040
4	1/4" NPT x 3/8" Swivel Nut	40300
5	Safety Release Valve	40121
6	Material Tank Liner	40211
6	Disposable Tank Liners (Box of 500)	4252
7	Catch-All Filter	80009
	Catch-All Filter 5-Pack	7123
8	Material Tank	40114
9	Stand Pipe Tube	40117
10	Gasket, Thiokol (For White Polyethylene Gasket, Part #82162)	40115
11	Material Tank Cover	40116
12	Material Tank Thumb Nut	40125
13	Stand Pipe Connector (Nut 82072)	40221
13	Replacement Ferrule for Stand Pipe Connector	40120
14	Paint Exit Connector	40124
15	Brass Inlet Fitting	40292
16	Gauge, 0-100 PSI	40303
17	1/4" NPT Fitting	40063
Not Shown	Complete Regulator Assembly	7041

UNIT DIAGRAMS/PARTS LIST

Regulator Assembly

Paint Tank Dual Regulator Part #7041

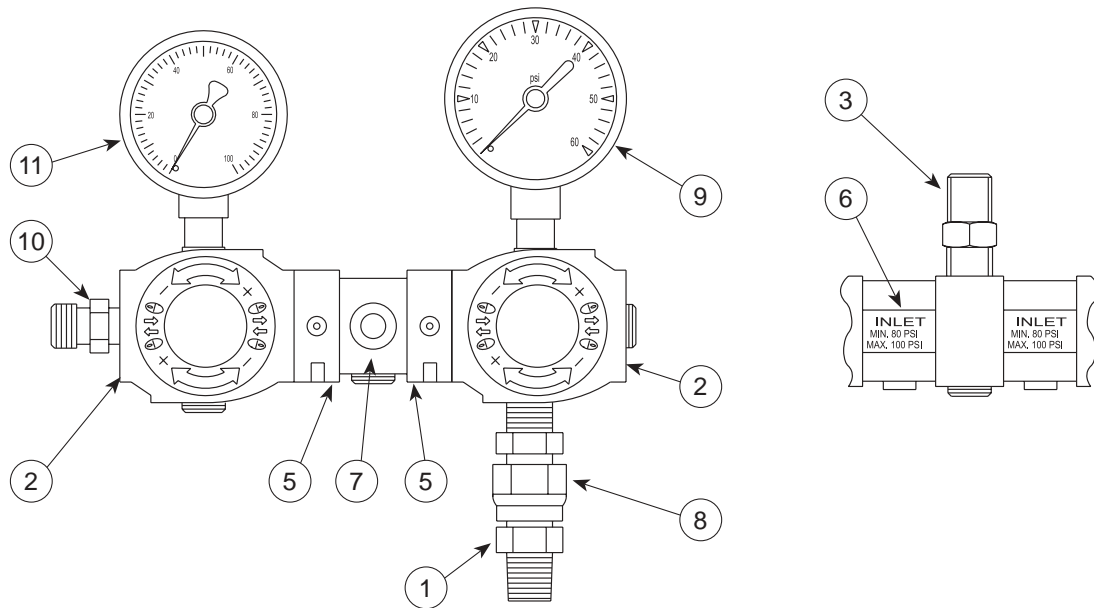


Diagram Number	Description	Part Number
1	Swivel Nut Assembly, Regulator	40300
2	Regulator, R73G 5-60 PSI	49561
3	Pipe Nipple, 1/4" NPT Male	40063
5	Connector, Quick Regulator	49559
6	Label, Inlet Pressure	40171
7	Center Connector, R73G	49560
8	Regulator Fitting, Male	30026
9	Gauge, Standard Tank	40226
10	Inlet fitting, Male Brass	40292
11	Gauge, 2" 0-100 PSI	40303
Not Shown	Screw, R08 Adjusting Rod	40217

UNIT DIAGRAMS/PARTS LIST

Hose Assemblies

- 25 Ft. Double Fluid/Air Hose Assembly Part #8025
 35 Ft. Double Fluid/Air Hose Assembly Part #8035

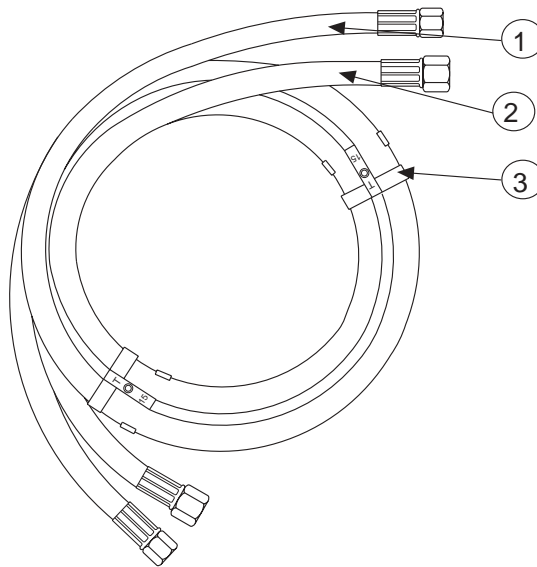


Diagram Number	Description	Part Number
1	3/8" Black Air Hose 1/4" NPS, 24 Ft. 8 in.	70031
1	3/8" Black Air Hose 1/4" NPS, 34 Ft. 8 in.	70038
2	3/8" Black Paint Hose 3/8" NPS, 25 Ft. 4 in.	70032
2	3/8" Black Paint Hose 3/8" NPS, 35 Ft. 4 in.	70039
3	Hose T-Clip	40140

Integral Filter Regulator

Integral Filter Regulator Part #5050

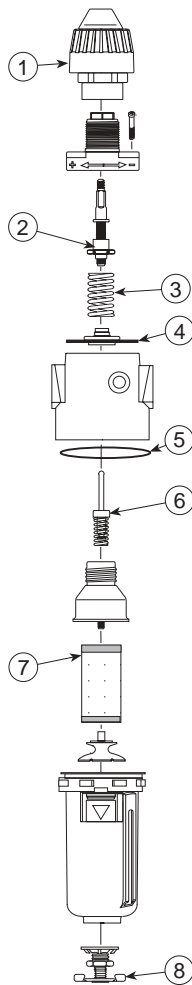


Diagram Number	Description	Part Number
1	Adjusting Knob Assembly	81287
2	Adjusting Stem Assembly	81288
3	Regulating Spring	81289
4	Diaphragm Assembly	81290
5	Bowl O-Ring	81291
6	Valve Stem Kit with O-Rings and Spring	81292
7	Filter Element (includes gasket)	81230
8	Insert Retainer and Petcock Assembly	81293
Not Shown	Gauge 0-160 PSI (0-11 bar)	81221
Not Shown	1/4" NPT Outlet End Block	81294
Not Shown	1/2" NPT Inlet End Block	81295
Not Shown	O-Rings for End Blocks (10-Pack)	81520

UNIT DIAGRAMS/PARTS LIST

QS™ Automatic CrossFire™ Spray Head Assembly

- .043" QS™ CrossFire™ Cartridge Assembly w/Small Pattern Air Cap Part #9011
- .043" QS™ CrossFire™ Cartridge Assembly w/GuideRing™ Air Cap Part #9012
- .070" QS™ CrossFire™ Cartridge Assembly w/GuideRing™ Air Cap Part #9015

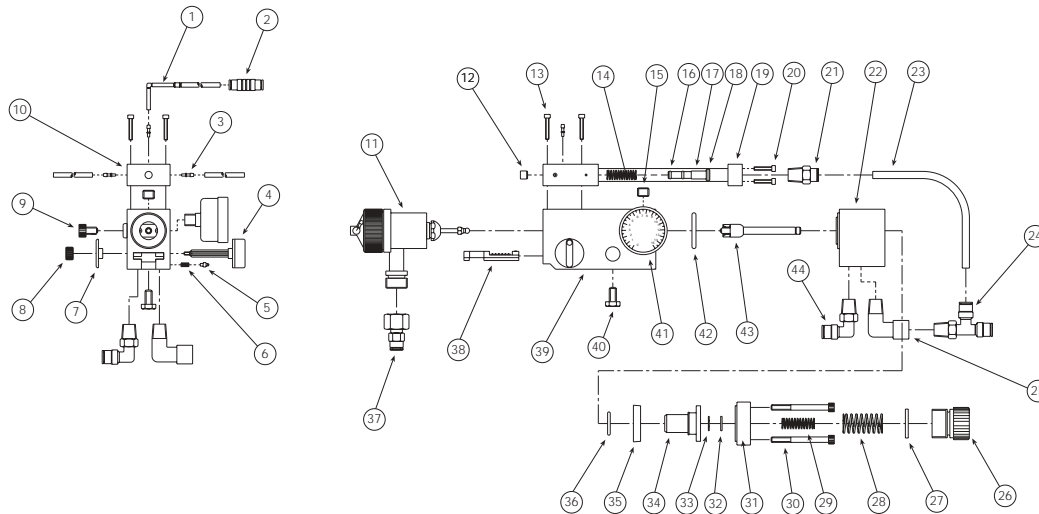


Diagram Number	Description	Part Number
1	Tube Assembly	81496
2	Union	81281
3	Tube Barb	81267
4	TotalFlow® Fan Control Knob	70016
5	Detent	30034
6	Detent Spring	40057
7	Fan Control Cap	40012
8	Fan Control Thumb Nut	70027
9	Thumb Screw	70028
	Thumb Screw 5-Pack	7119
10	2-Way Auto Valve Body	81476
11	Cartridge Assembly, .070" Non-GuideRing™ Teflon®-Coated	4007
11	Cartridge Assembly, .043" Non-GuideRing™ Teflon®-Coated	4020
11	Cartridge Assembly, .043" Small Pattern Non-GuideRing™ Teflon®-Coated	4023
12	2-Way Auto Valve Body Plug	81265
13	Cap Screw, 5-40 UNC x 3/4" Hex Socket Head	81489
14	Compression Spring	81269
15	Hex Socket 1/8" NPT Plug	40152
16	O-Ring	81268
17	2-Way Auto Valve Body Spool	81482
18	O-Ring	81488
19	2-Way Auto Valve Body Cap	81477
20	Cap Screw, 5-40 UNC x 5/8" Hex Socket Head	81487
21	1/4" O.D. Tubing Connector x 1/4" NPTF	81383

Continued on next page

UNIT DIAGRAMS/PARTS LIST

QS™ Automatic CrossFire™ (continued)

- .043" QS™ CrossFire™ Cartridge Assembly w/Small Pattern Air Cap Part #9011
 .043" QS™ CrossFire™ Cartridge Assembly w/GuideRing™ Air Cap Part #9012
 .070" QS™ CrossFire™ Cartridge Assembly w/GuideRing™ Air Cap Part #9015

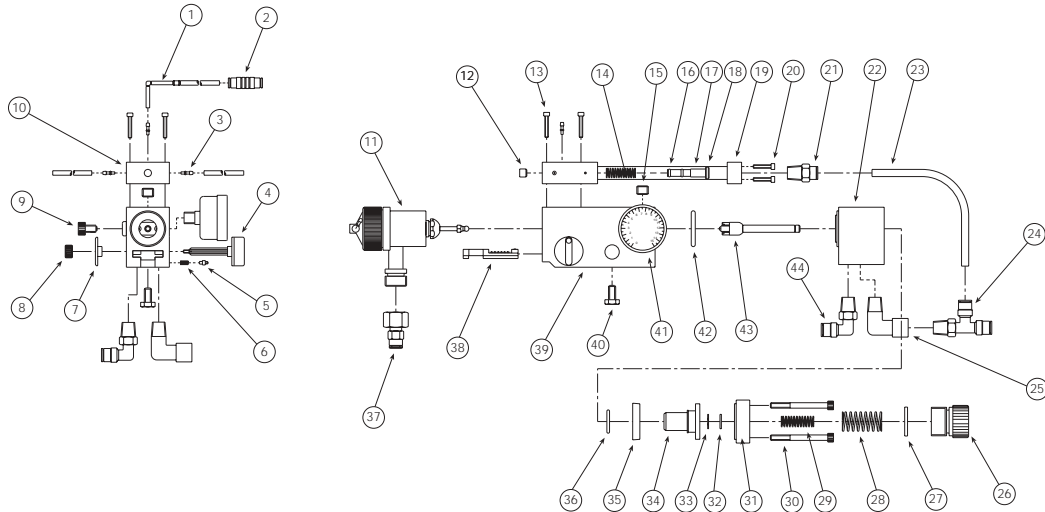


Diagram Number	Description	Part Number
22	Non-Bleeder Air Cylinder	81090
23	1/4" O.D. Tubing (specify length in feet)	12347
24	Male Run "T" 1/4" OD Swivel	81492
25	Male Elbow 90° Street 1/4" NPTF	81494
26	Non-Bleeder Adjusting Knob	81088
27	Fluid Adjusting Knob Seal	40001
28	Non-Bleeder Trigger Spring	81256
29	Non-Bleeder Spring	81092
30	Cap Screw, 10-24 UNC x 2 1/4"	40611
31	End Cap	81621
32	Retaining Washer	40027
33	Auto Gun E-Ring	40033
34	Piston	81089
35	U-Cup Piston Seal	40031
36	O-Ring	81094
37	Swivel Connector, Fluid Inlet 1/4" 3/8 OD Tube x 3/8 NPS	81282 81928
38	Fan Control Slide Fan Control Slide 5-Pack	20008 7125
39	QS™ CrossFire™ Automatic Gun Body	81483
40	Hex Head Screw, 1/4-20 UNC	14955
41	Gauge, 0-15 PSI	40198
42	O-Ring, Auto Gun Cylinder	40030
43	Needle Retainer Assembly	81204
44	Swivel Fitting	81345

UNIT DIAGRAMS/PARTS LIST

CrossFire™ Gun Handle Assembly

CrossFire™ Gun Handle (Aluminum) Part #4006

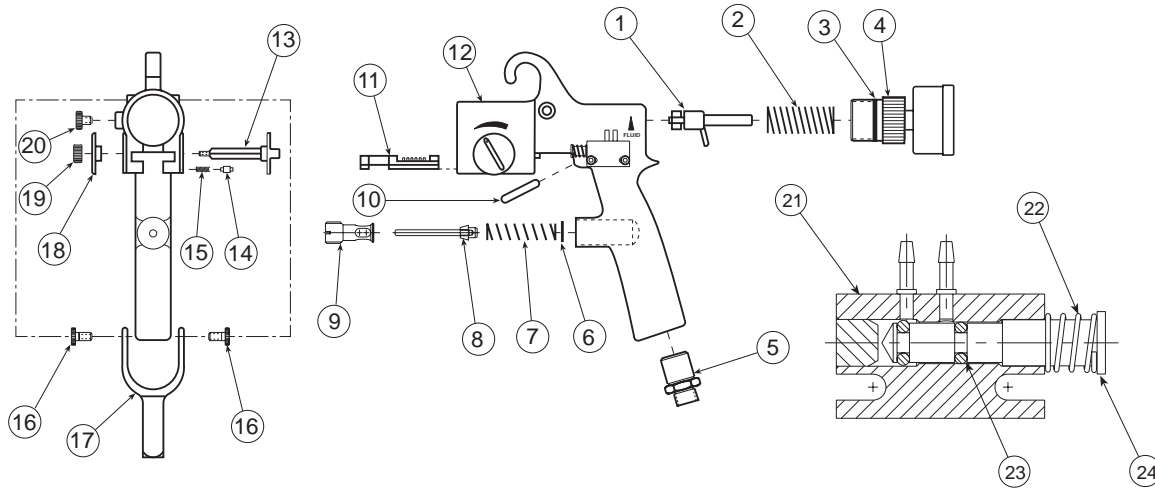


Diagram Number	Description	Part Number
1	Needle Retainer Assembly	70006
2	Trigger Spring	40000
3	Fluid Adjusting Knob Seal	40001
4	Fluid Adjusting Knob w/Gauge	81415
5	Air Inlet Fitting	30092
6	Air Valve Spool Seal	81203
7	Air Valve Spring	81007
8	Air Valve Spool Assembly	81059
9	Air Valve Sleeve	81009
10	Fluid Trigger Pin	30014
11	Fan Control Slide	20008
	Fan Control Slide 5-Pack	7125
12	Gun Body, CrossFire™	81278
13	TotalFlow® Fan Control Knob	70016
14	Detent	30034
15	Detent Spring	40057
16	Trigger Retaining Screw	81012
17	Trigger	81011
18	Fan Control Cap	40012
19	Thumb Nut Assembly	70027
20	Thumb Screw Assembly	70028
	Thumb Screw Assembly 5-Pack	7119
21	2-Way Valve Body Assembly	81263
22	Compression Spring	81269
23	O-Ring	81268
24	2-Way Valve Spool Assembly with O-Rings	81328

CrossFire™ Cartridge/Gun Handle

CrossFire™ Gun/Cartridge Assembly Part #4002

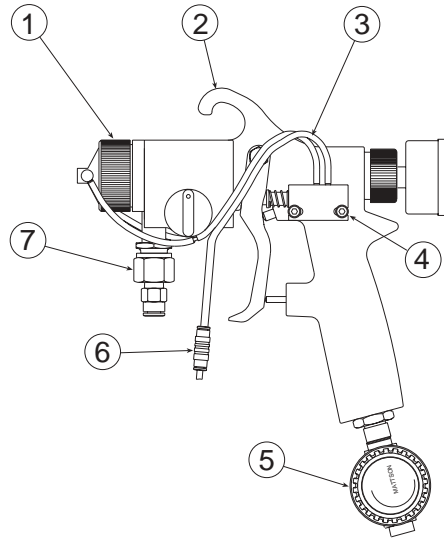


Diagram Number	Description	Part Number
1	Complete Cartridge Assembly	4007
2	Complete Handle Assembly	4006
3	Tube Assembly, CrossFire™ Gun	81274
4	Hex Cap Screw	81279
	Lock Washer	81280
5	Air Cap Regulator Assembly	7066
6	Union	81281
7	Swivel Connector Assembly	81282

UNIT DIAGRAMS/PARTS LIST

CrossFire™ Cartridge Assembly (Non-GuideRing™ Air Cap)

- .070" CrossFire™ Cartridge Assembly with Non-GuideRing™ Air Cap..... Part #4007
- .043" CrossFire™ Cartridge Assembly with Non-GuideRing™ Air Cap..... Part #4020
- .043" CrossFire™ Cartridge Assembly w/Small Pattern Air Cap Part #4023

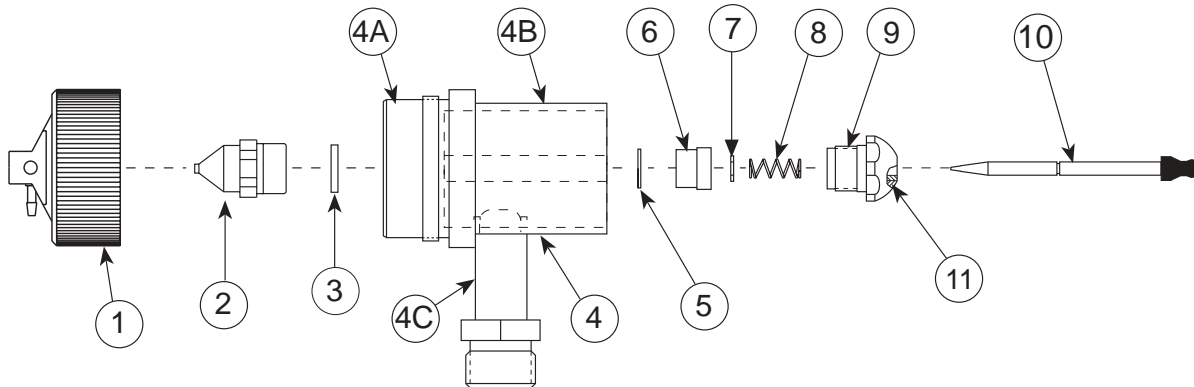


Diagram Number	Description	Part Number
1	CrossFire™ Non-GuideRing™ Air Cap Assembly	8275
	CrossFire™ Non-GuideRing™ Small Pattern Air Cap Assembly	8271
2	Fluid Tip, .043", 35° Angle	82016
	Fluid Tip, .070", 35° Angle	82019
3	Nozzle Seal	40015
	Nozzle Seal 5-Pack	7143
4	Teflon®-Coated Cartridge Body Assembly with Steel Fluid Passages	81618
4A	Teflon®-Coated Sleeve	81619
4B	Insert	81201
4C	Paint Flow Fitting	81200
5	Air Directing Seal	40059
	Air Directing Seal 5-Pack	7141
6	High Pressure Seal Assembly	81057
7	E-Ring	40007
8	Needle Spring	40008
9	Air Directing Plug Assembly	70030
10	Needle Assembly .028", .032", .040", .043" & .050"	82105
10	Needle Assembly .060", .070" & .086"	82106
11	Needle Packing Seal	40006
	Needle Packing Seal 3-Pack	7102
5-11	Complete Needle Assembly .028", .032", .040", .043" & .050"	82103
5-11	Complete Needle Assembly .060", .070" & .086"	82104

UNIT DIAGRAMS/PARTS LIST

CrossFire™ Adhesive Delivery Systems

- CrossFire™ System A with 20 Ft. Supply Hose Assembly Part #4000
 CrossFire™ System A with 25 Ft. Supply Hose Assembly Part #4021
 CrossFire™ System A with 50 Ft. Supply Hose Assembly Part #4022

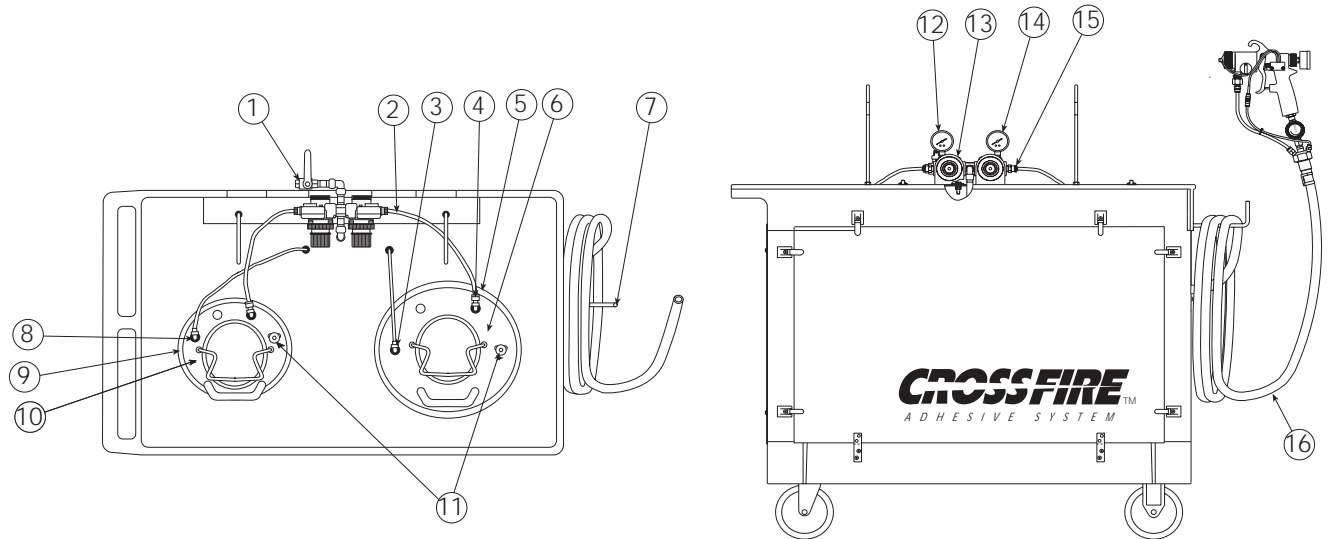


Diagram Number	Description	Part Number
1	Ball Valve	81351
2	1/4" OD Air Inlet Tube	81434
3	Swivel Elbow (1/4" x 1/4")	81345
4	Plastic Elbow	81354
5	10-Gallon P-Strip	81432
6	10-Gallon ASME-approved Stainless Steel Tank Assembly	7207
7	Hook	81435
8	Swivel Elbow (5/32" x 1/4")	81344
9	2-Gallon P-Strip	81433
10	2-Gallon ASME-approved Stainless Steel Tank Assembly	7206
11	Safety Valve	81321
12	Gauge, 0-60 PSI	40226
13	Dual Regulator Assembly with Gauges	81443
14	Gauge, 0-100 PSI	40303
15	Plastic Connector	81353
16	Gun/Hose Assembly 15 Ft.	4012
	Gun/Hose Assembly 20 Ft.	4011
	Gun/Hose Assembly 25 Ft.	4017
	Gun/Hose Assembly 50 Ft.	4019
Not Shown	Lid Gasket, EDPM	81363
Not Shown	Lid Gasket, Teflon®	81938
Not Shown	Wash Bottle	4161
Not Shown	Cleaning Clip	4173
Not Shown	SuperGlide™, Single Tube	4129

Teflon is a registered trademark of E.I. DuPont

© Copyright 2002, Mattson Spray Equipment, Division of Rice Lake Weighing Systems, Inc., Rice Lake, WI USA. All rights reserved.
 Prices & specifications subject to change without notice.



UNIT DIAGRAMS/PARTS LIST

CrossFire™ Adhesive Delivery Systems

CrossFire™ System B with 15 Ft. Supply Hose Assembly Part #4013

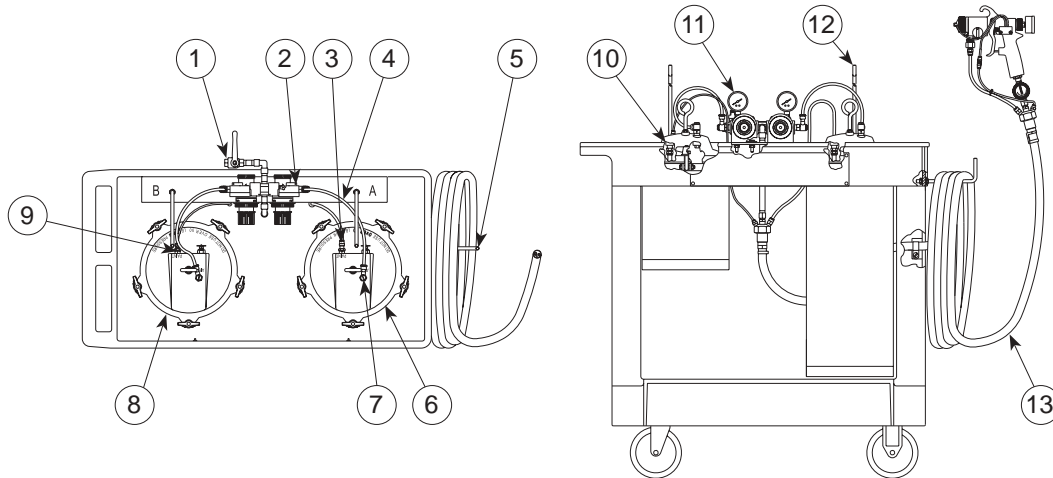


Diagram Number	Description	Part Number
1	Ball Valve	81351
2	Dual Regulator Assembly (Regulators Only)	81446
3	Swivel Elbow (1/4" x 1/4")	81345
4	1/4" OD Air Inlet Tube	81434
5	Hook	81435
6	5-Gallon non-ASME-approved Tank with fittings	7210
	5-Gallon Tank Liners (Box of 100)	4321
7	Plastic Elbow	81354
8	2.5-Gallon non-ASME-approved Tank with fittings	7205
	2.5-Gallon Tank Liners (Box of 500)	4252
	2.5-Gallon Tank Liner, Rigid Plastic	40211
9	Swivel Elbow (5/32" x 1/4")	81344
10	Stand Pipe Tube Connector	81338
11	Gauge, 0-60 PSI	40226
12	Cover Hanger	81447
13	Gun/Hose Assembly, 15 Ft.	4012
	Gun/Hose Assembly, 20 Ft.	4011
	Gun/Hose Assembly, 25 Ft.	4017
	Gun/Hose Assembly, 50 Ft.	4019
Not Shown	2.5 Gallon Pickup Tube	40117
Not Shown	5-Gallon Pickup Tube	81466
Not Shown	Safety Valve	81465
Not Shown	Gasket for Tank	40115
Not Shown	Wash Bottle	4161
Not Shown	Cleaning Clip	4173
Not Shown	SuperGlide™, Single Tube	4129

CrossFire™ Supply Hose Assemblies

15 Ft. CrossFire™ 3-in-1 Supply Hose Assembly	Part #4015
20 Ft. CrossFire™ 3-in-1 Supply Hose Assembly	Part #4004
25 Ft. CrossFire™ 3-in-1 Supply Hose Assembly	Part #4014
50 Ft. CrossFire™ 3-in-1 Supply Hose Assembly	Part #4018

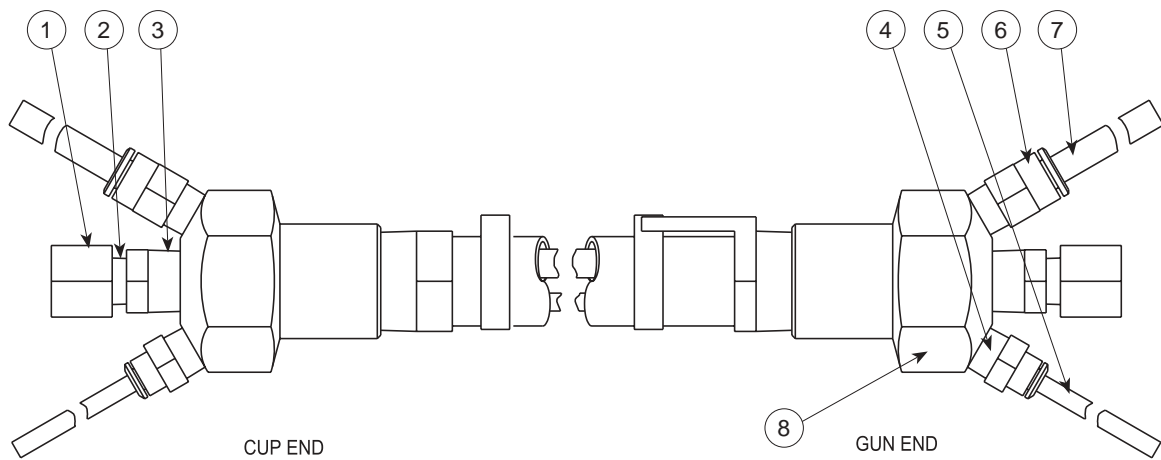


Diagram Number	Description	Part Number
1-3	Swivel Assembly	81468
1	Adapter	40149
2	Swivel Nut	81257
3	Reducer	81331
4	5/32" Diameter Straight Connector	81335
5	5/32" OD Tubing	81337
6	1/4" Diameter Straight Connector	81332
7	1/4" OD Tubing	81334
8	Fitting, Tri-Hose Connector	81319