

<b>CONTENTS .....</b>	<b>63-68</b>
AirLogic™ Control Box .....	64
Static Mixers .....	64
EZ Flush Valve Assembly .....	64
AutoHeat™ Pneumatic Paint Heater .....	65
AutoPilot™ Material Tank Assemblies .....	65
Material Tank Assemblies .....	65-66
Hose Assemblies .....	66
Tubing .....	67
Operation Manuals .....	67

# AUTOPILOT™ COMPONENTS

## AirLogic™ Control Box



**AirLogic™ Control Box** ..... **Part #9200**

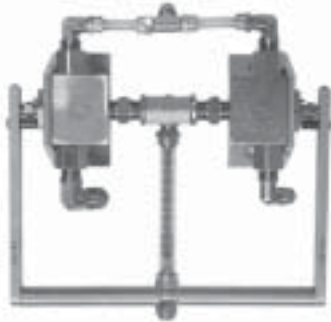
For use with: All AutoPilot™ Proportioning Systems to Regulate and Control All Air Functions of a Complete System.

## Static Mixers



**QuickFlush™ Static Mixer** ..... **Part #9145**

For use with: 4-in-1 AutoPilot™ Supply Hose Assembly to Combine Two-Component Materials.



**Stationary Static Mixer** ..... **Part #9141**

For use with: Wall-Mounted AutoPilot™ Proportioning System.

## EZ Flush Valve Assembly



**EZ Flush Valve Assembly** ..... **Part #9143**

For use with: All AutoPilot™ Proportioning Systems to Aid in Weekly Maintenance.

## AutoHeat™ Pneumatic Paint Heater



AutoHeat™ Pneumatic Paint Heater ..... Part #9151  
 For use with: All AutoPilot™ Proportioning Systems where heated material is required.

## Material Tank Assemblies



### AutoPilot™ Solvent Flush Tank Assemblies

2-Gallon Flush Solvent Pot SST (Flip Top Lid) ..... Part #81945  
 2-Gallon Galvanized Top Feed ..... Part #5428  
 5-Gallon Galvanized Top Feed ..... Part #5458  
 2-Gallon Stainless Steel Top Feed ..... Part #5604  
 5-Gallon Stainless Steel Top Feed ..... Part #5609

## Material Tank Assemblies (Without Air Agitators)



### AutoPilot™ Paint Material/Activator Tank Assemblies

2-Gallon Stainless Steel Bottom Feed ..... Part #5602  
 5-Gallon Stainless Steel Bottom Feed ..... Part #5605  
 10-Gallon Stainless Steel Bottom Feed ..... Part #5610  
 15-Gallon Stainless Steel Bottom Feed ..... Part #5615  
 2-Gallon Stainless Steel Top Feed ..... Part #5603  
 5-Gallon Stainless Steel Top Feed ..... Part #5607  
 10-Gallon Stainless Steel Top Feed ..... Part #5612  
 15-Gallon Stainless Steel Top Feed ..... Part #5617

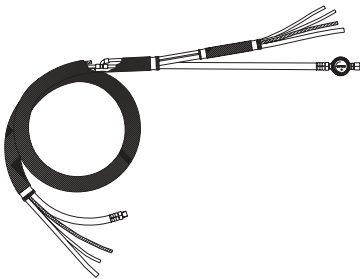
# AUTOPILOT™ COMPONENTS

## Material Tank Assemblies (With Air Agitators)



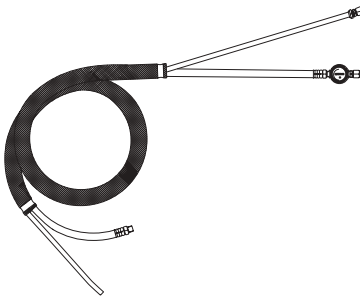
5-Gallon Stainless Steel Bottom Feed .....	Part #5606
10-Gallon Stainless Steel Bottom Feed .....	Part #5611
15-Gallon Stainless Steel Bottom Feed .....	Part #5616
5-Gallon Stainless Steel Top Feed .....	Part #5608
10-Gallon Stainless Steel Top Feed .....	Part #5613
15-Gallon Stainless Steel Top Feed .....	Part #5618

## Hose Assemblies



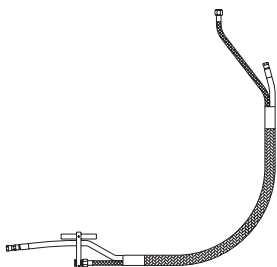
### 4-In-1 Proportioner Hose for QuickFlush™ Static Mixer

15 Ft. Hose Assembly .....	Part #7817
20 Ft. Hose Assembly .....	Part #7822
25 Ft. Hose Assembly .....	Part #7827
30 Ft. Hose Assembly .....	Part #7832
35 Ft. Hose Assembly .....	Part #7837
40 Ft. Hose Assembly .....	Part #7842
50 Ft. Hose Assembly .....	Part #7852
70 Ft. Hose Assembly .....	Part #7872
100 Ft. Hose Assembly .....	Part #7902



### Proportioner Hose for Stationary Static Mixer

20 Ft. Hose Assembly .....	Part #7920
30 Ft. Hose Assembly .....	Part #7930
50 Ft. Hose Assembly .....	Part #7950



### Whip Hose Attachment

4 Ft. Whip Hose Assembly .....	Part #9147
--------------------------------	------------

## Tubing

### Nylon

Yellow Nylon Tubing, 1/4" OD ..... Part #69039  
Clear Nylon Tubing, 3/4" OD ..... Part #81334  
Clear Nylon Tubing, 3/8" OD ..... Part #81911  
Clear Nylon Tubing, 1/2" OD ..... Part #82114  
Clear Nylon Tubing, 5/32" OD ..... Part #81337

### Teflon®

Blue Teflon® Tubing,  
1/4" O.D. x 3/16" ID ..... Part #82070  
Clear Teflon® Tubing,  
3/8" O.D. x 1/4" ID ..... Part #82069

## Operation Manuals



AutoPilot™ Operation Manual ..... Part #81890  
HotShot™ System A Operation Manual ..... Part #51726  
HotShot™ System B Operation Manual ..... Part #52889  
AutoPilot™ Rebuild Instruction Manual ..... Part #66645